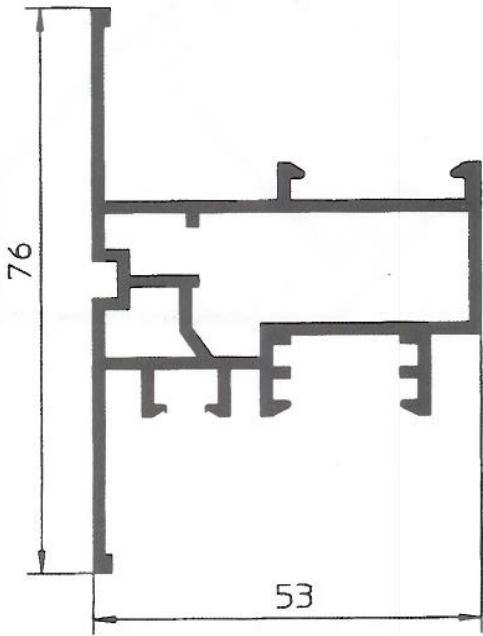
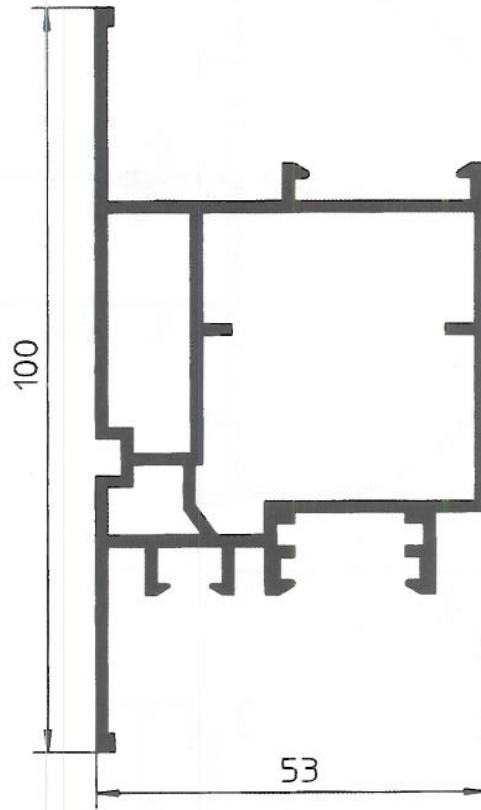


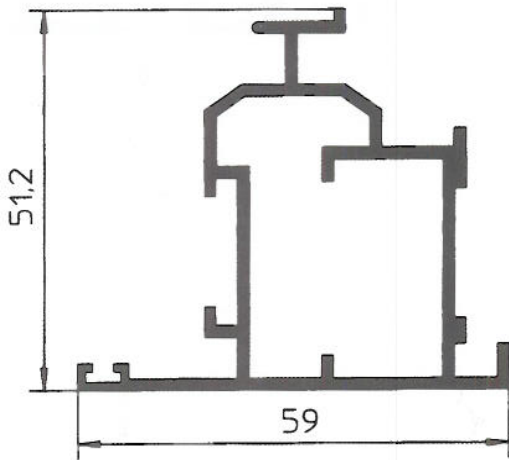
E-2337 1179g/m



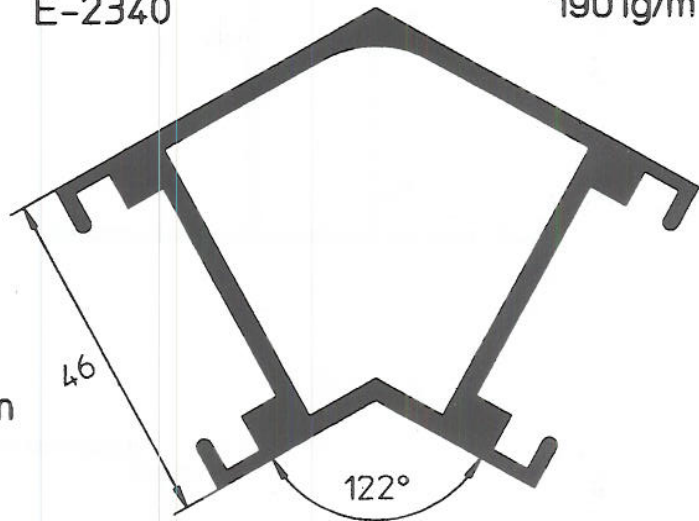
E-2338 1547g/m



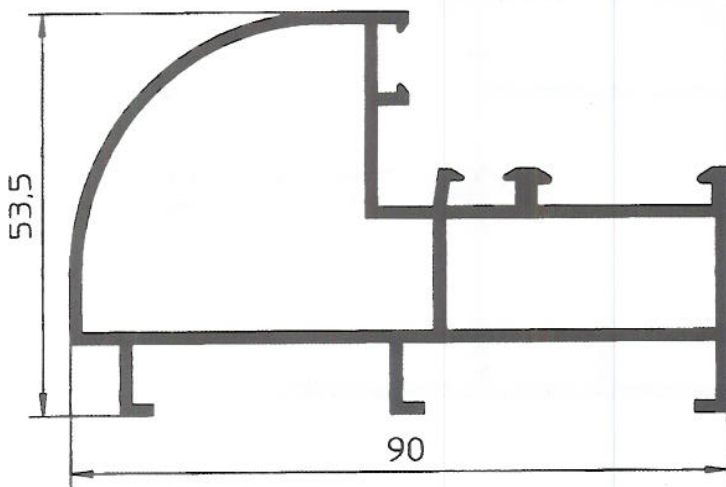
E-2339 932g/m



E-2340 1901g/m

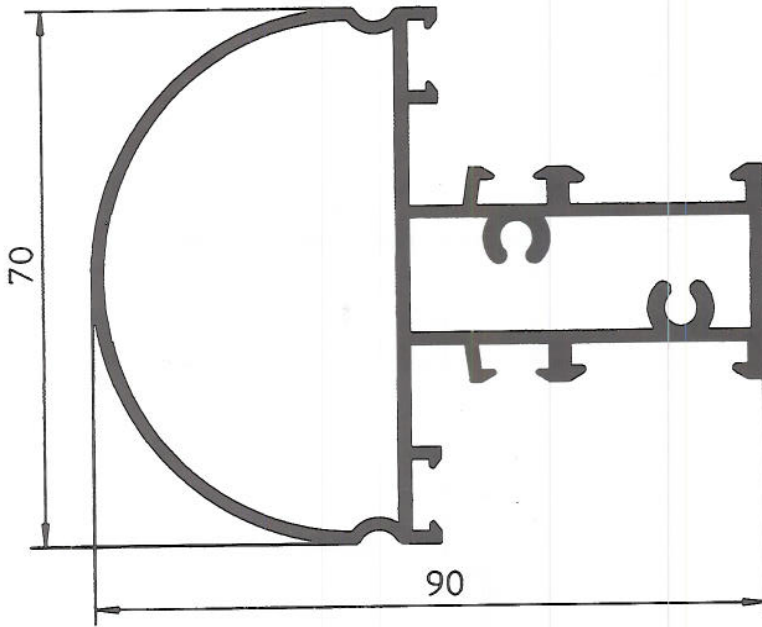


E-2341 1364g/m



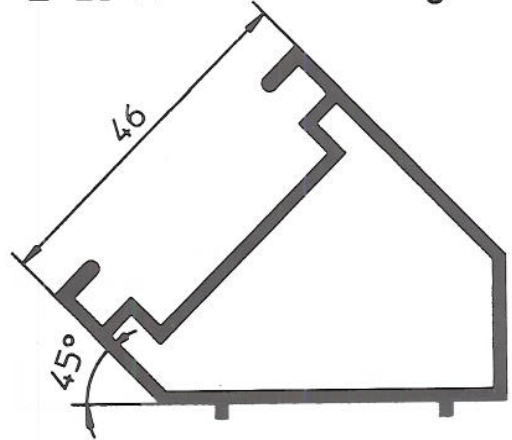
E-2342

1682g/m



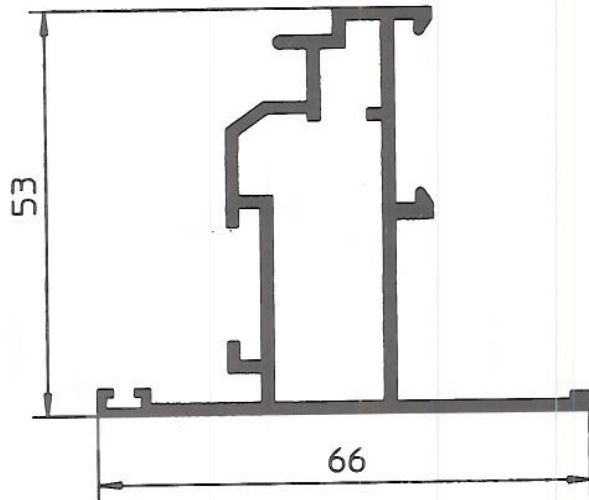
E-2344

783g/m



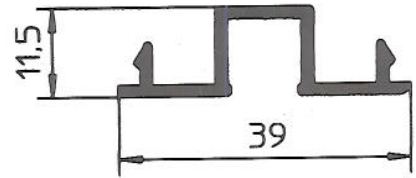
E-2349

915g/m



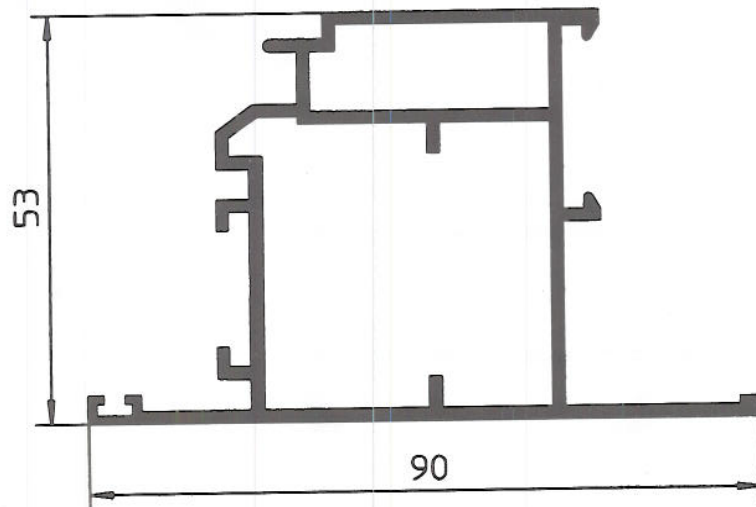
E-2351

286g/m

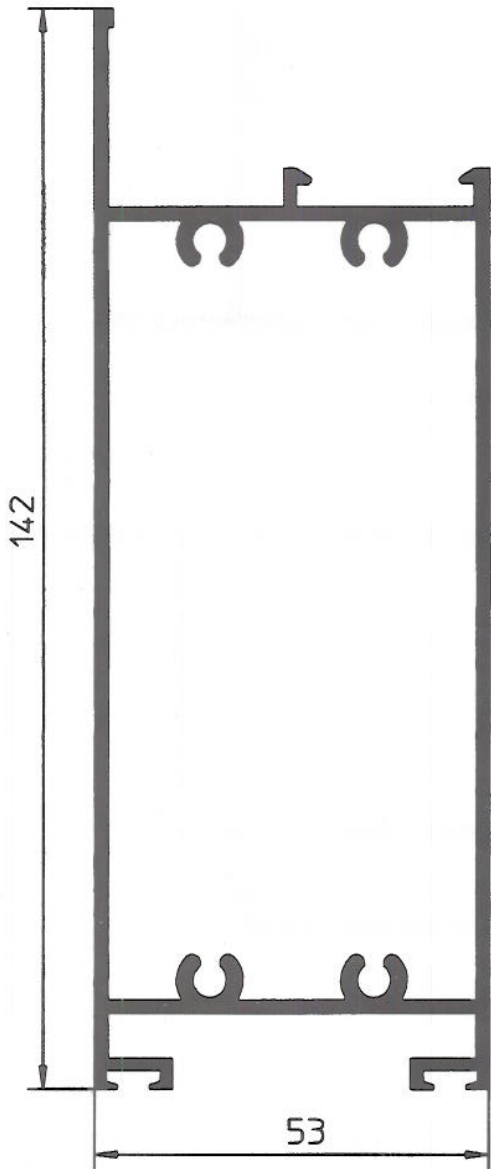


E-2352

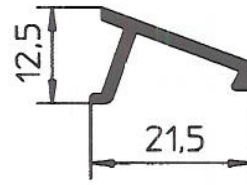
1286g/m



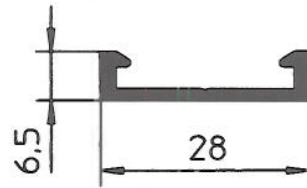
E-2354 2089g/m



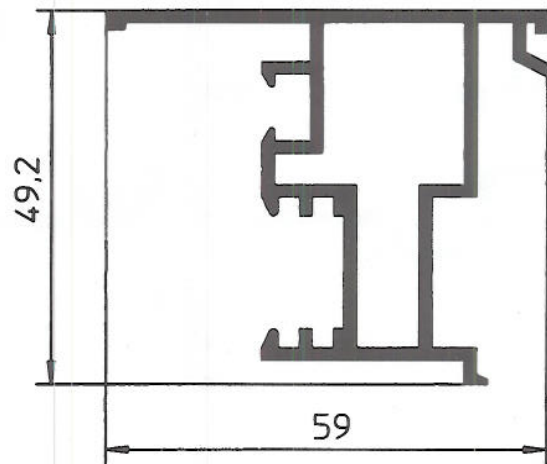
E-2357 144g/m



E-2365 182g/m



E-2368 954g/m



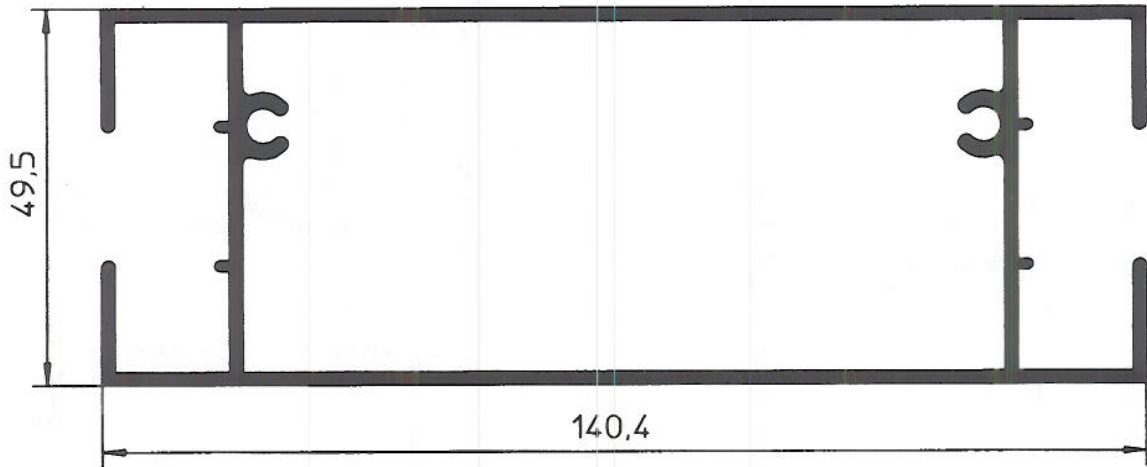
E-2361

2565g/m



E-2372

2157g/m

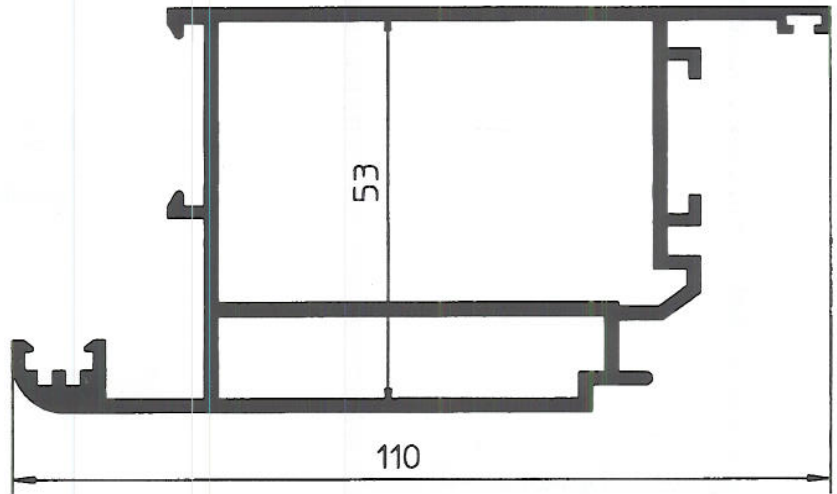
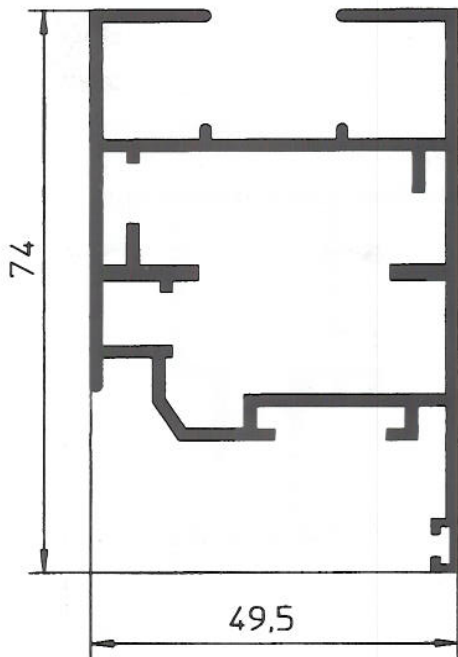


E-2373

1282g/m

E-2374

1775g/m

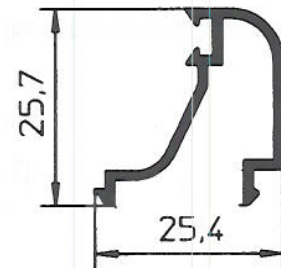
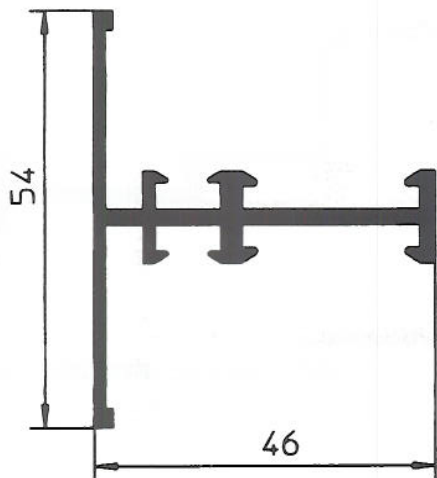


E-2376

689g/m

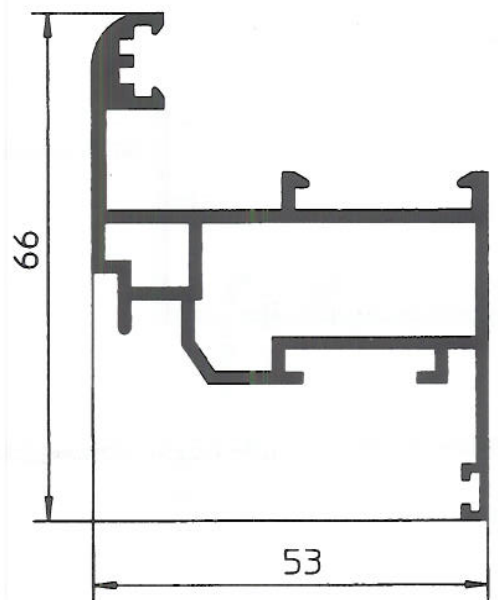
E-2378

240g/m

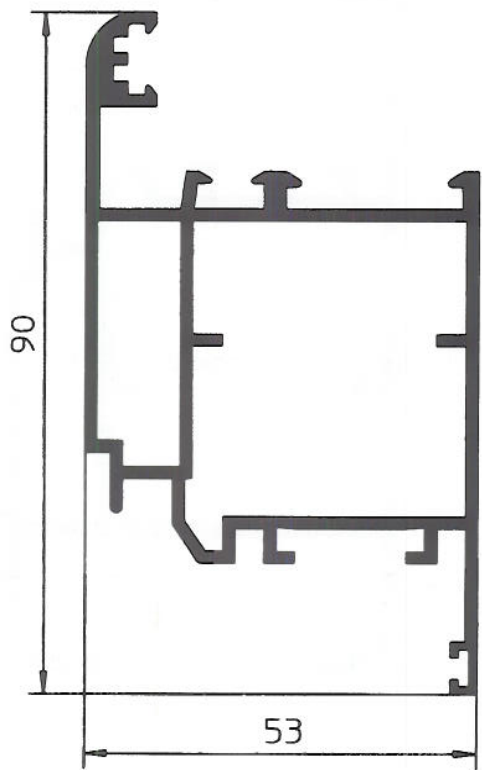


E-2381

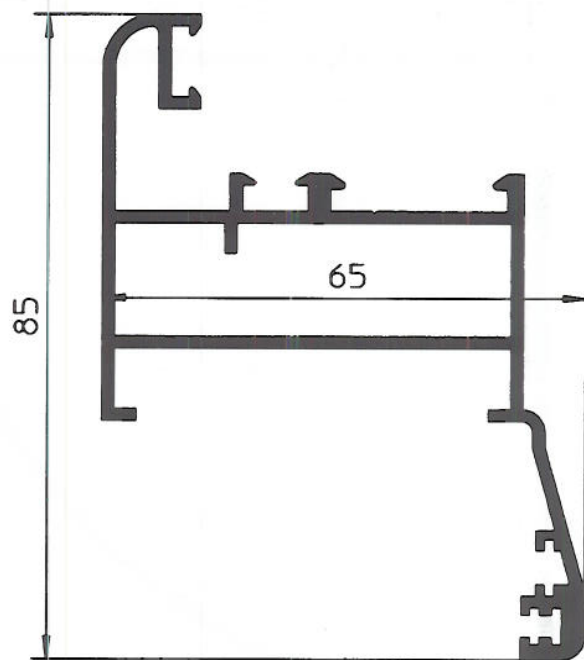
1067g/m



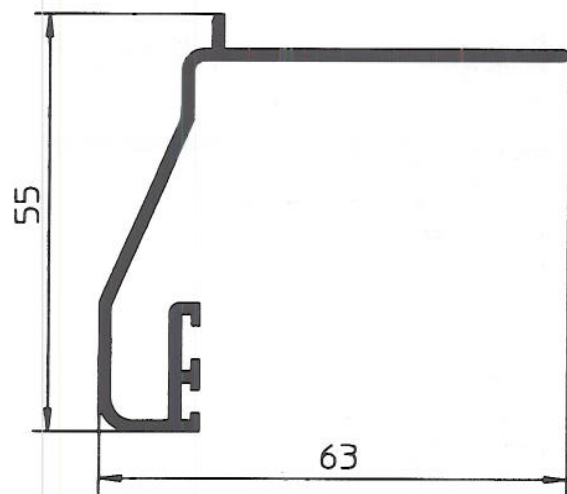
E-2382 1454g/m



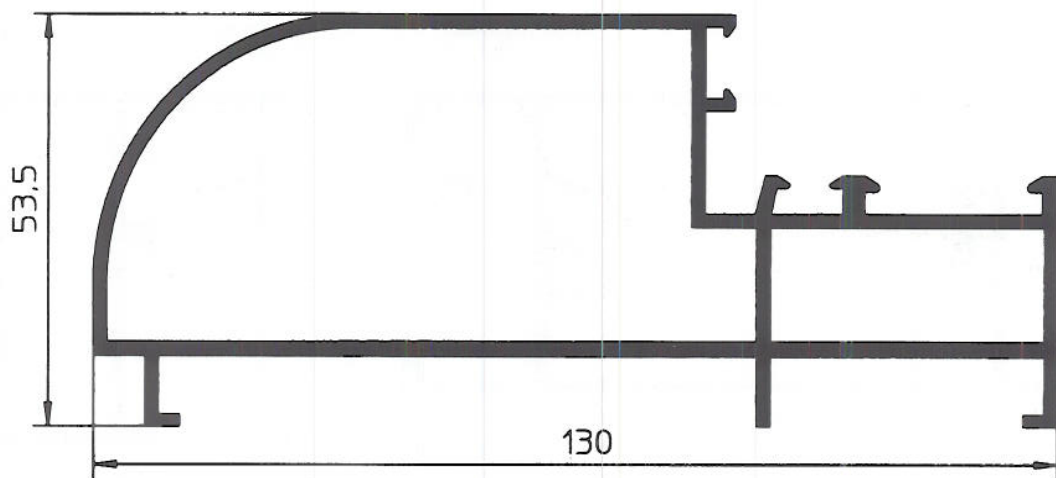
E-2385 1272g/m



E-2386 570g/m

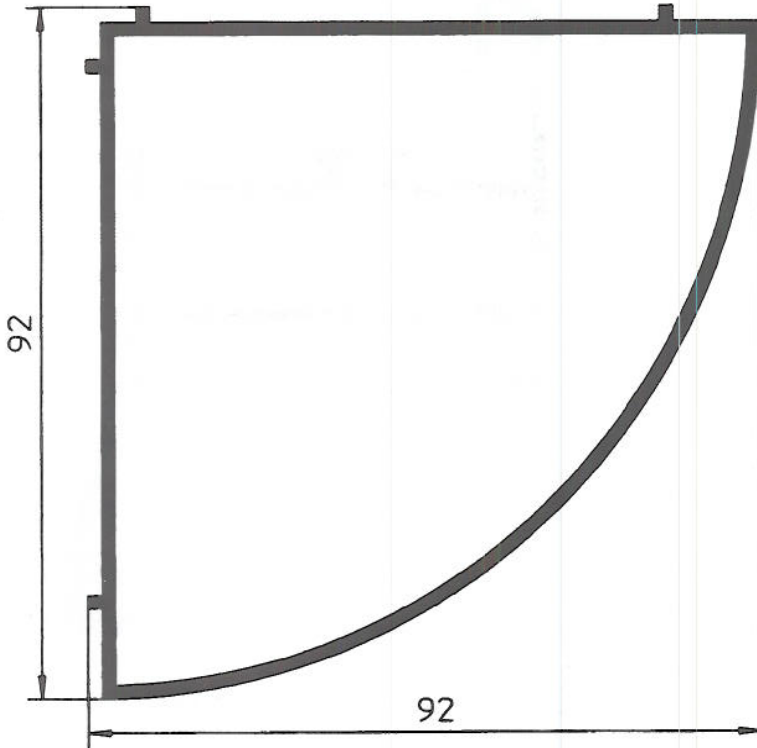


E-2391 1871g/m



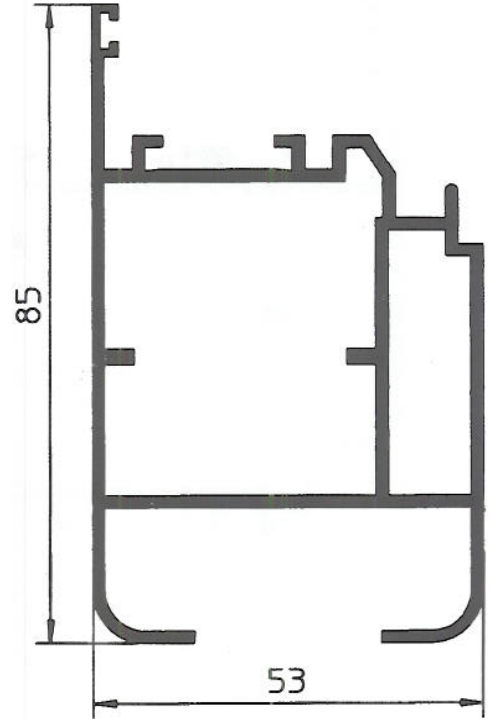
E-2393

1482g/m



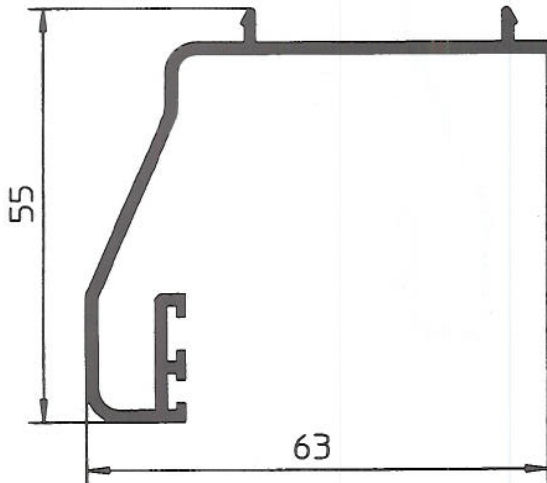
E-2394

1382g/m



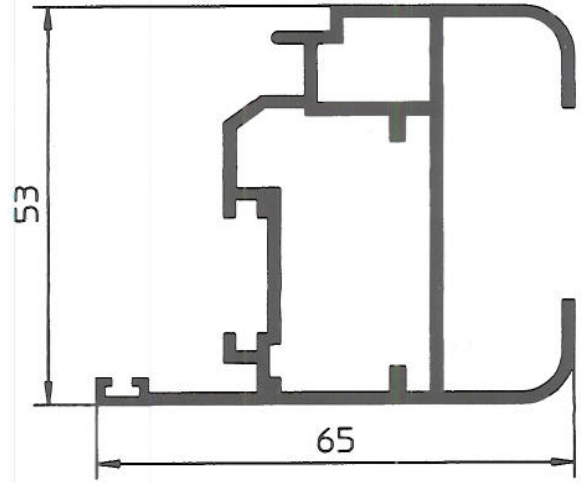
E-2395

586g/m



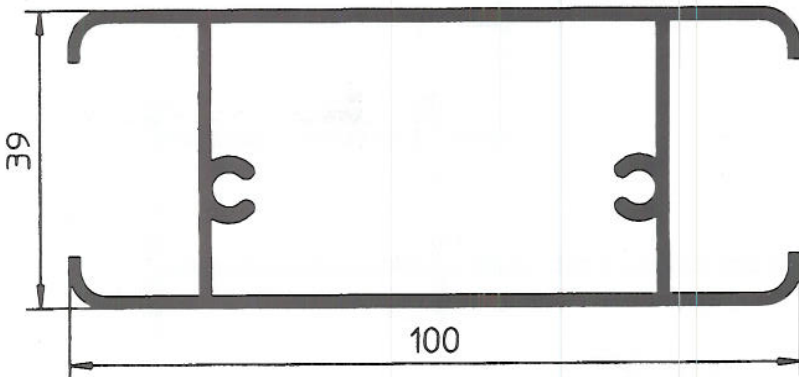
E-2396

1148g/m



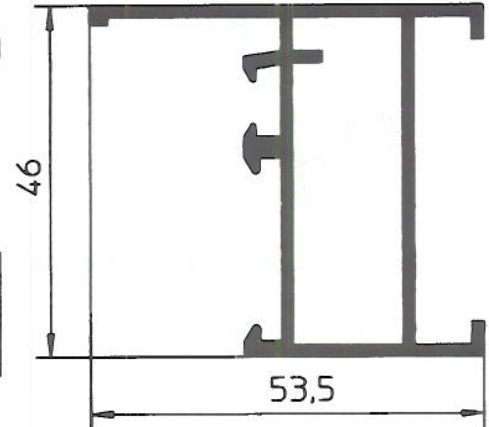
E-2397

1293g/m

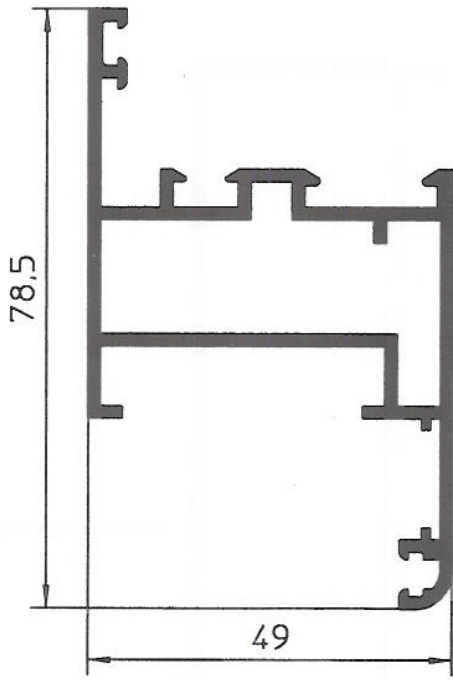


E-2399

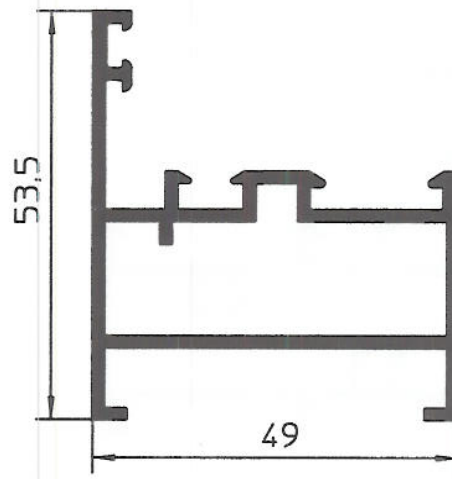
834g/m



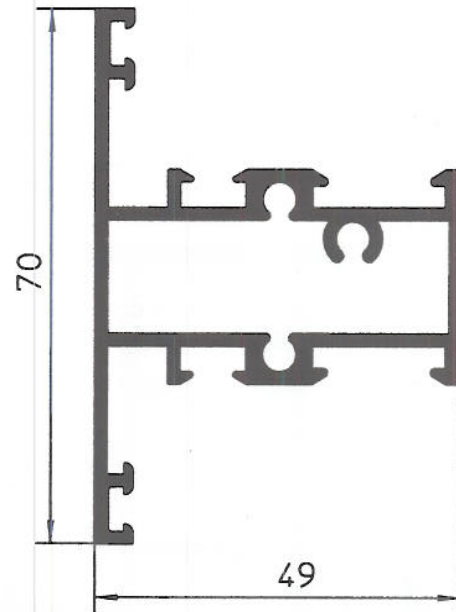
E-5320 1085g/m



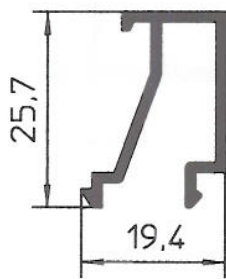
E-5321 888g/m



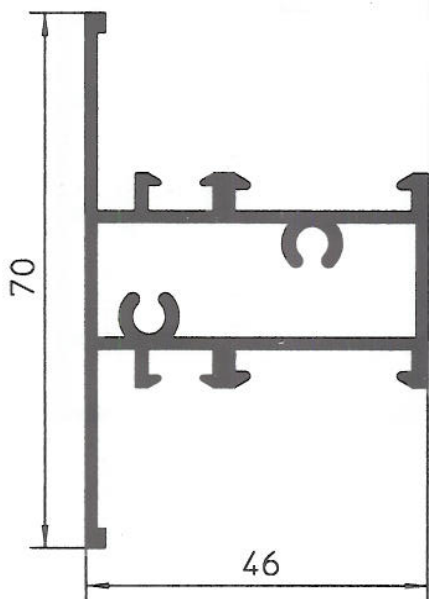
E-5322 1134g/m



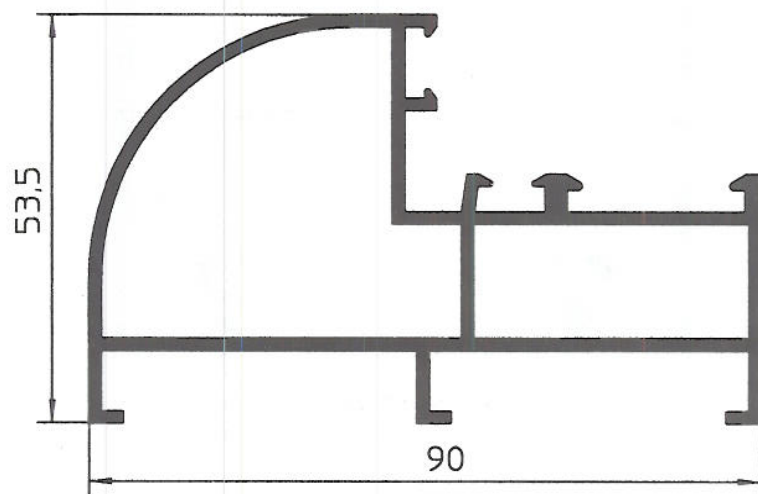
E-5324 238g/m



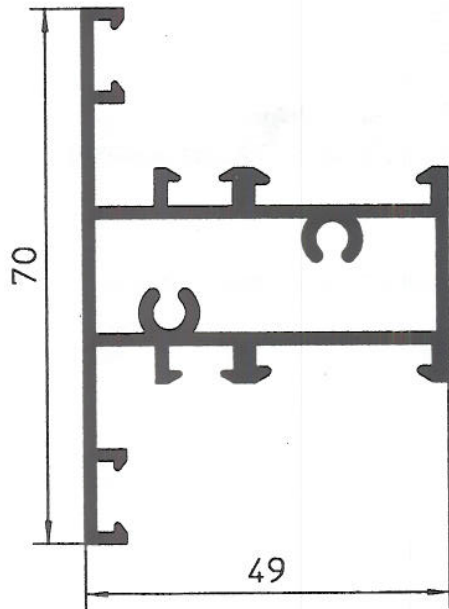
E-5330 1007g/m



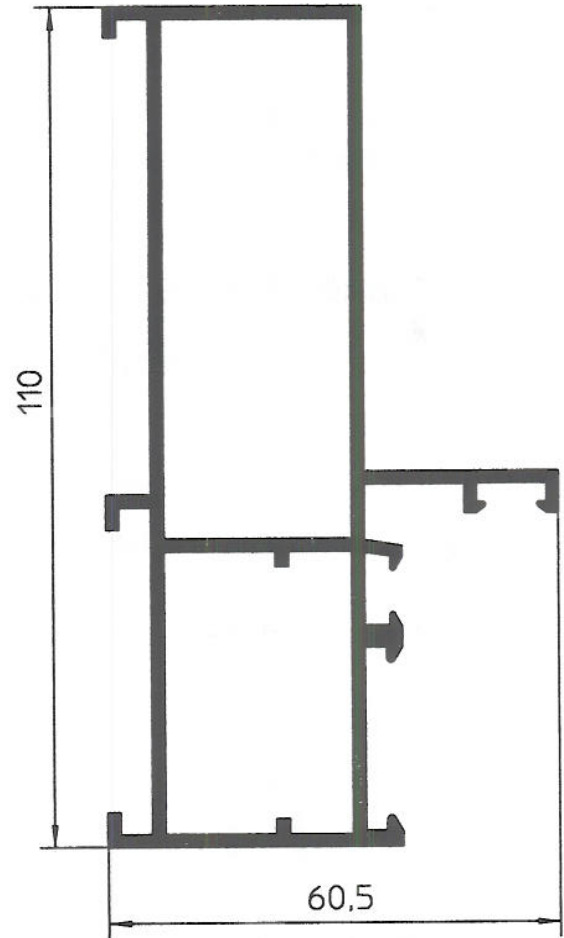
E-5331 1364g/m



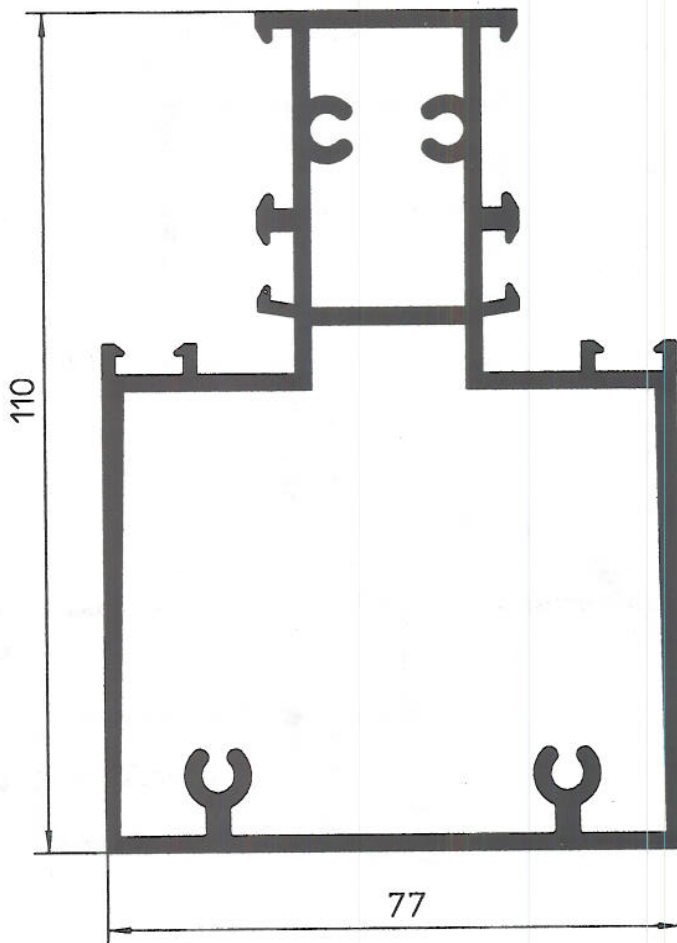
E-5332 1088g/m



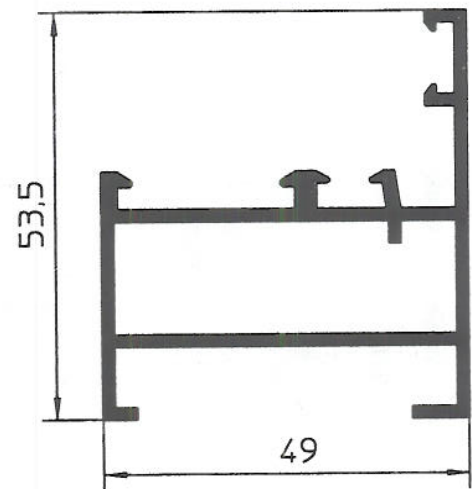
E-5340 1666g/m



E-5341 2795g/m

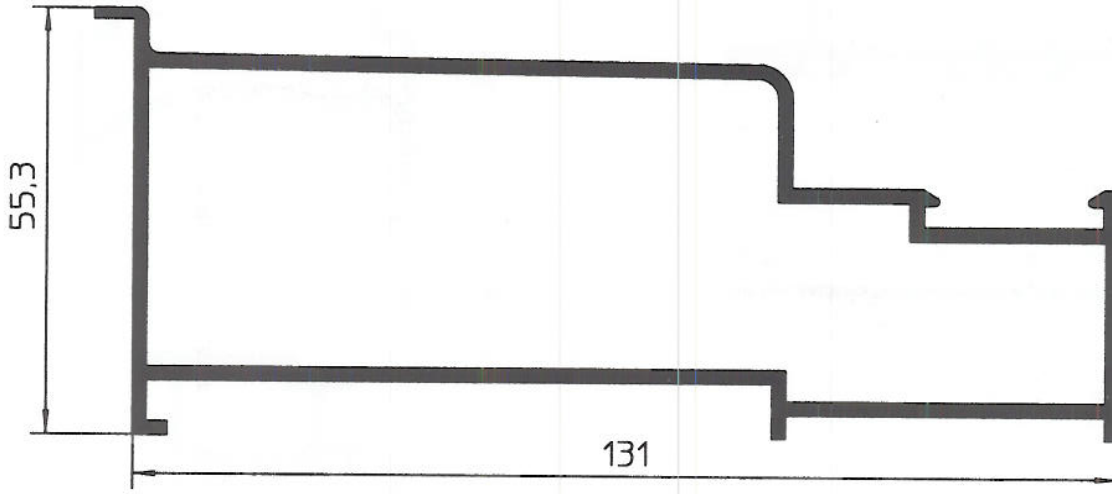


E-5350 899g/m



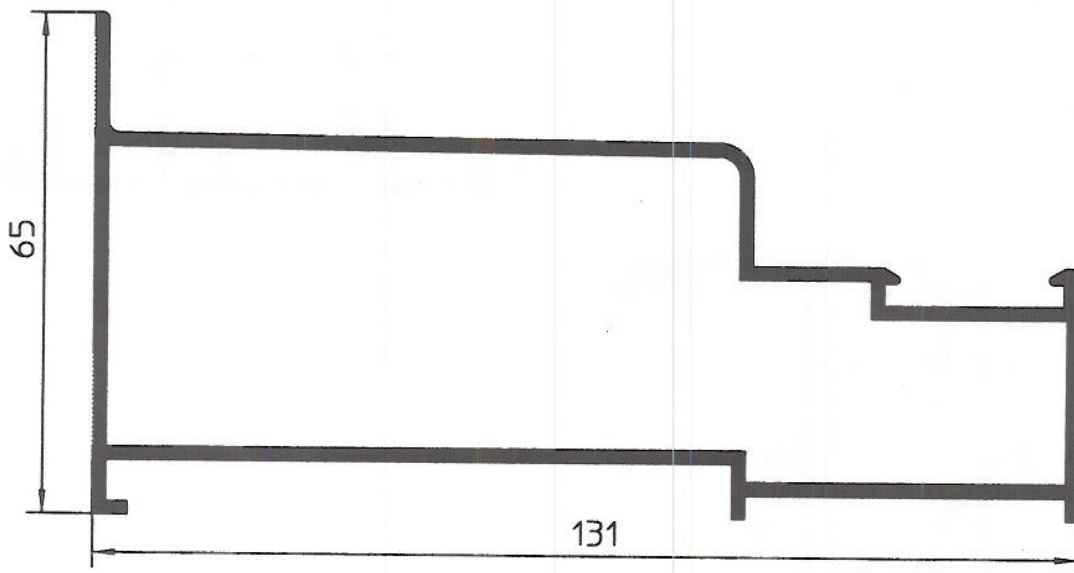
E-5352

1750g/m



E-5353

1663g/m



E-5351

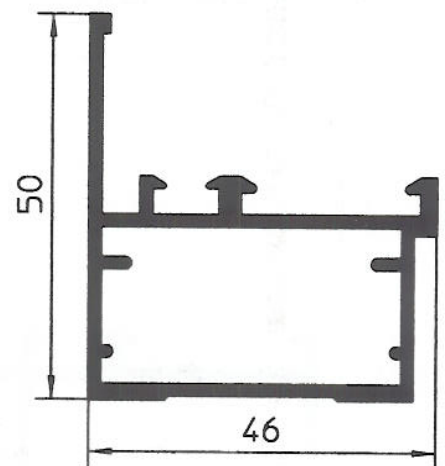
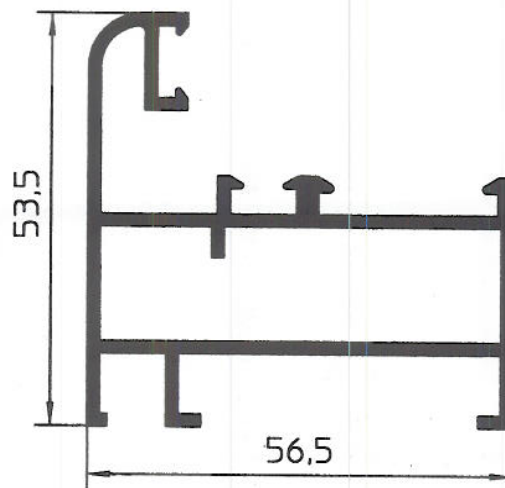
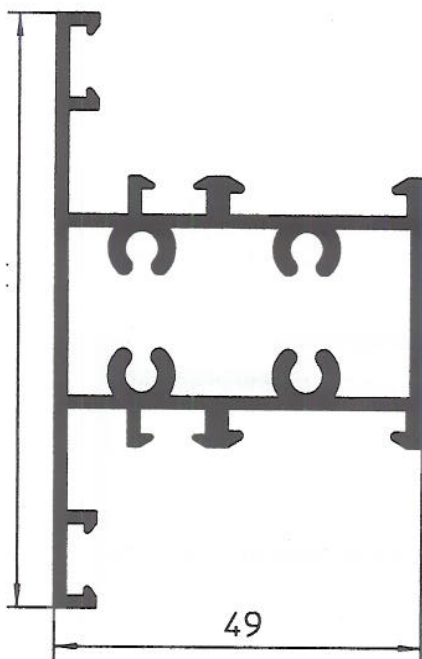
1374g/m

E-5354

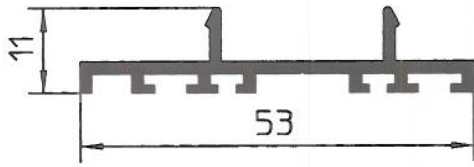
1056g/m

E-5355

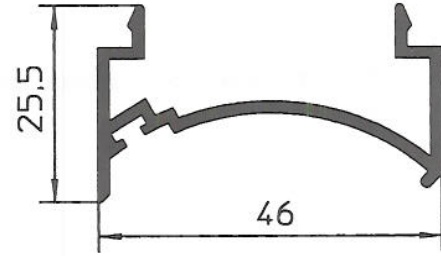
824g/m



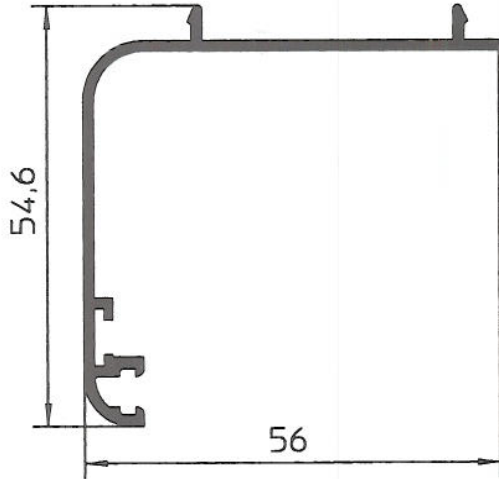
E-5356 373g/m



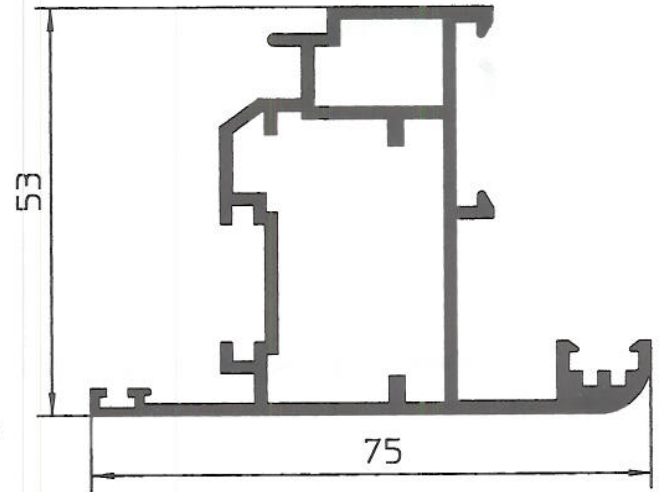
E-5357 429g/m



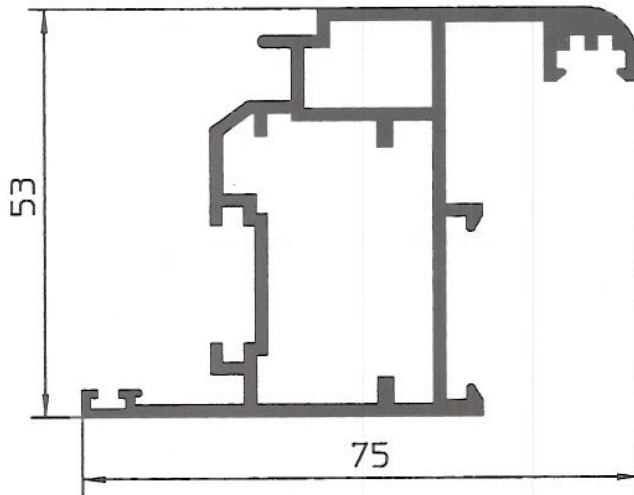
E-5358 456g/m



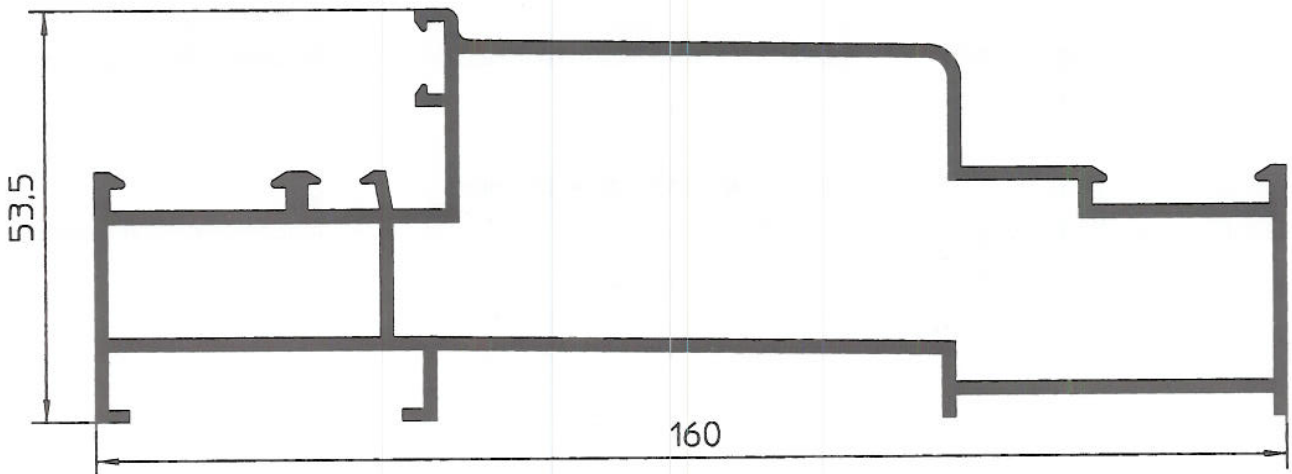
E-5359 1239g/m



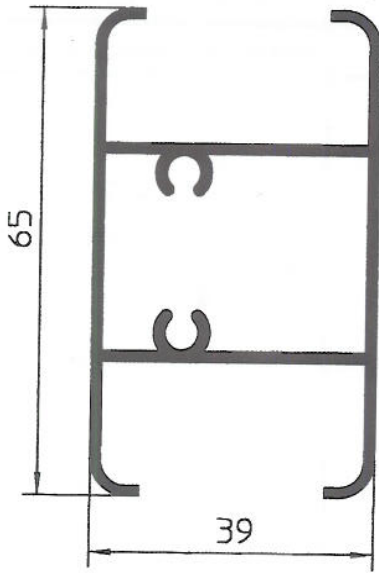
E-5360 1239g/m



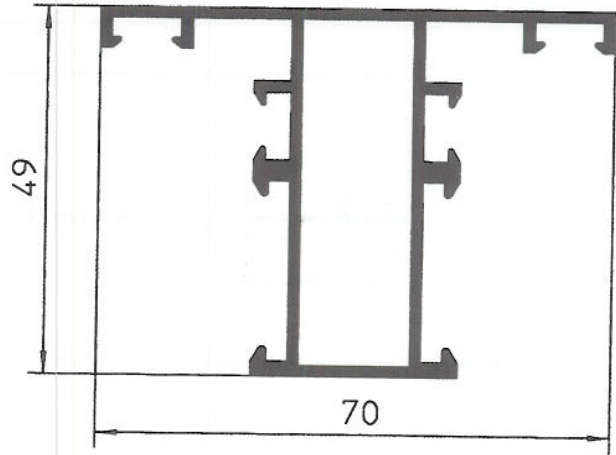
E-5361 2138g/m



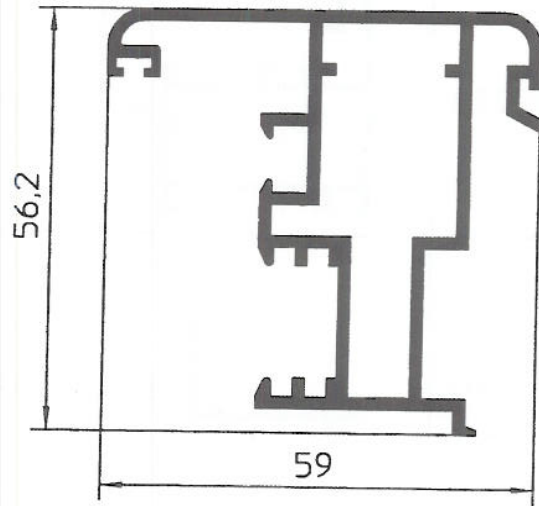
E-5362 915g/m



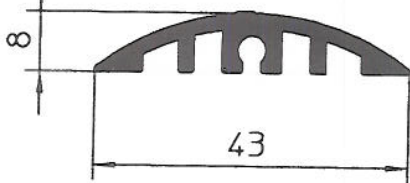
E-5363 977g/m



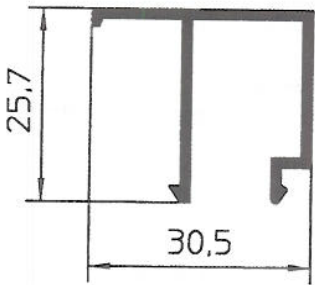
E-5368 1107g/m



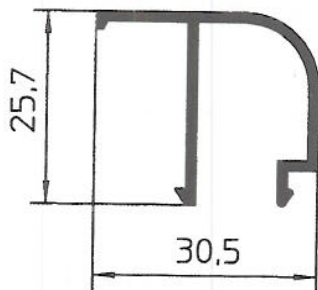
E-5364 402g/m



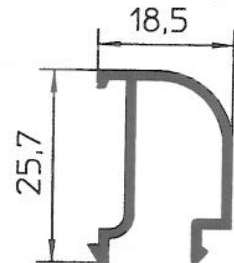
E-5380 302g/m

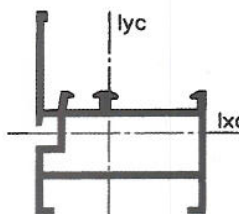
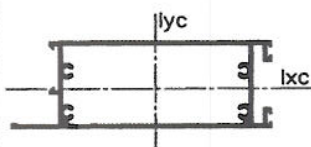
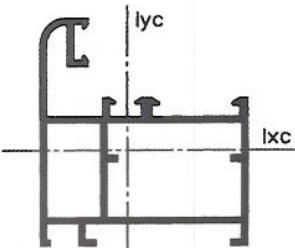
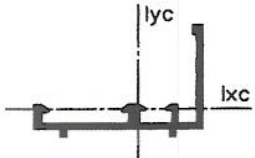
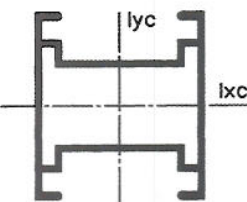
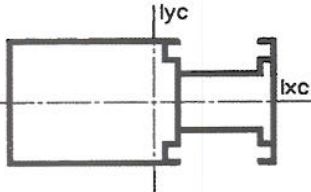


E-5393 286g/m

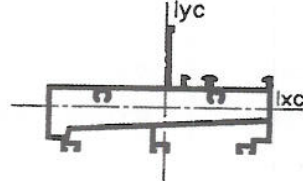
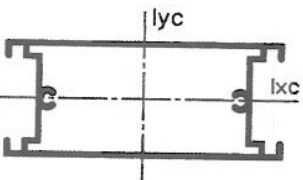
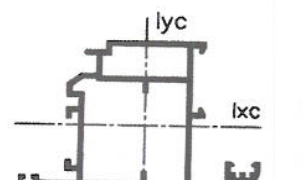
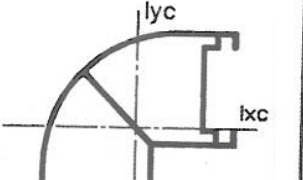
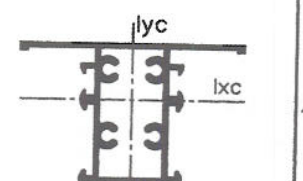
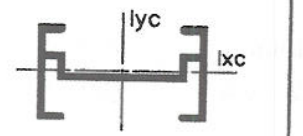


E-5394 235g/m



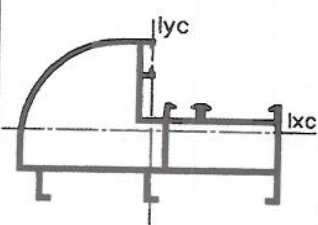
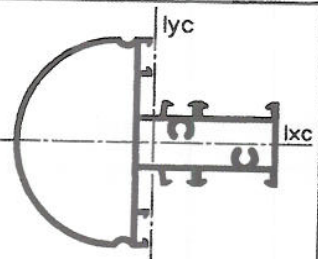
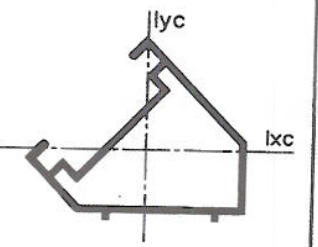
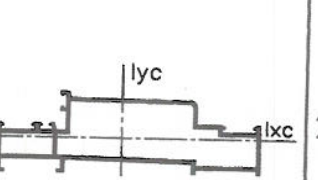
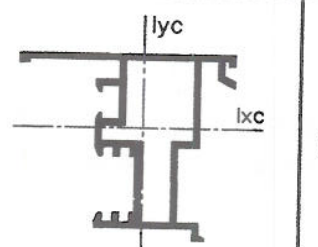
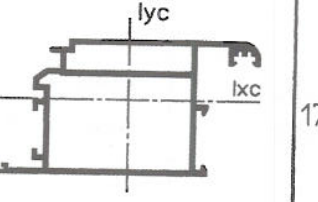
ΣΤΑΤΙΚΕΣ ΤΙΜΕΣ		STATIC VALUES		
No. Προφιλ	Σχημα	Βαρος	Ροπή Αδρανειας cm ⁴	Ροπή Αντιστασεως cm ³
Profile No	Sketch	Weight	Moment of Inertia cm ⁴	Moment of Resistance cm ³
E-2300		851g/m	$I_{xc} = 4.606 \text{ cm}^4$ $I_{yc} = 9.193 \text{ cm}^4$	$W_{xc} = 1.422 \text{ cm}^3$ $W_{yc} = 3.470 \text{ cm}^3$
E-2310		2039g/m	$I_{xc} = 27.125 \text{ cm}^4$ $I_{yc} = 152.048 \text{ cm}^4$	$W_{xc} = 10.863 \text{ cm}^3$ $W_{yc} = 19.259 \text{ cm}^3$
E-2311		1212g/m	$I_{xc} = 12.568 \text{ cm}^4$ $I_{yc} = 17.662 \text{ cm}^4$	$W_{xc} = 3.607 \text{ cm}^3$ $W_{yc} = 5.397 \text{ cm}^3$
E-2315		421g/m	$I_{xc} = 0.839 \text{ cm}^4$ $I_{yc} = 3.759 \text{ cm}^4$	$W_{xc} = 0.380 \text{ cm}^3$ $W_{yc} = 1.318 \text{ cm}^3$
E-2316		955g/m	$I_{xc} = 8.292 \text{ cm}^4$ $I_{yc} = 11.855 \text{ cm}^4$	$W_{xc} = 3.317 \text{ cm}^3$ $W_{yc} = 5.154 \text{ cm}^3$
E-2317		1723g/m	$I_{xc} = 21.716 \text{ cm}^4$ $I_{yc} = 89.449 \text{ cm}^4$	$W_{xc} = 8.679 \text{ cm}^3$ $W_{yc} = 14.876 \text{ cm}^3$

ΣΤΑΤΙΚΕΣ ΤΙΜΕΣ
STATIC VALUES

No. Προφίλ	Σχήμα	Βαρος	Ροπή Αδρανεϊας cm ⁴	Ροπή Αντίστασης cm ³
Profile No	Sketch	Weight	Moment of Inertia cm ⁴	Moment of Resistance cm ³
E-2318		1539g/m	$I_{xc} = 7.524 \text{ cm}^4$ $I_{yc} = 53.950 \text{ cm}^4$	$W_{xc} = 2.164 \text{ cm}^3$ $W_{yc} = 10.405 \text{ cm}^3$
E-2322		1796g/m	$I_{xc} = 23.847 \text{ cm}^4$ $I_{yc} = 100.569 \text{ cm}^4$	$W_{xc} = 10.290 \text{ cm}^3$ $W_{yc} = 17.513 \text{ cm}^3$
E-2325		1407g/m	$I_{xc} = 20.024 \text{ cm}^4$ $I_{yc} = 26.781 \text{ cm}^4$	$W_{xc} = 6.493 \text{ cm}^3$ $W_{yc} = 5.700 \text{ cm}^3$
E-2329		1544g/m	$I_{xc} = 36.120 \text{ cm}^4$ $I_{yc} = 36.120 \text{ cm}^4$	$W_{xc} = 8.717 \text{ cm}^3$ $W_{yc} = 8.717 \text{ cm}^3$
E-2330		1288g/m	$I_{xc} = 12.092 \text{ cm}^4$ $I_{yc} = 11.044 \text{ cm}^4$	$W_{xc} = 4.409 \text{ cm}^3$ $W_{yc} = 2.868 \text{ cm}^3$
E-2332		521g/m	$I_{xc} = 0.932 \text{ cm}^4$ $I_{yc} = 6.499 \text{ cm}^4$	$W_{xc} = 0.723 \text{ cm}^3$ $W_{yc} = 2.825 \text{ cm}^3$

ΣΤΑΤΙΚΕΣ ΤΙΜΕΣ		STATIC VALUES		
No. Προφιλ	Σχημα	Βαρος	Ροπή Αδρανειας cm^4	Ροπή Αντιστασεως cm^3
Profile No	Sketch	Weight	Moment of Inertia cm^4	Moment of Resistance cm^3
E-2333		972g/m	$I_{xc} = 9.158cm^4$ $I_{yc} = 11.673cm^4$	$W_{xc} = 2.174cm^3$ $W_{yc} = 4.981cm^3$
E-2334		937g/m	$I_{xc} = 8.218cm^4$ $I_{yc} = 11.932cm^4$	$W_{xc} = 2.100cm^3$ $W_{yc} = 5.007cm^3$
E-2337		1179g/m	$I_{xc} = 9.443cm^4$ $I_{yc} = 14.564cm^4$	$W_{xc} = 2.452cm^3$ $W_{yc} = 4.484cm^3$
E-2338		1547g/m	$I_{xc} = 29.467cm^4$ $I_{yc} = 20.357cm^4$	$W_{xc} = 5.727cm^3$ $W_{yc} = 6.422cm^3$
E-2339		932g/m	$I_{xc} = 9.422cm^4$ $I_{yc} = 7.147cm^4$	$W_{xc} = 2.998cm^3$ $W_{yc} = 2.145cm^3$
E-2340		1901g/m	$I_{xc} = 25.231cm^4$ $I_{yc} = 34.744cm^4$	$W_{xc} = 7.756cm^3$ $W_{yc} = 7.945cm^3$

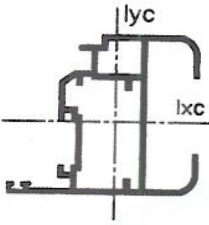
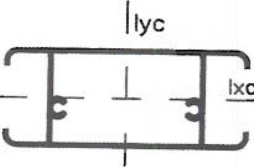
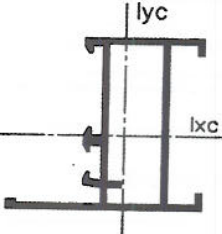
ΣΤΑΤΙΚΕΣ ΤΙΜΕΣ
STATIC VALUES

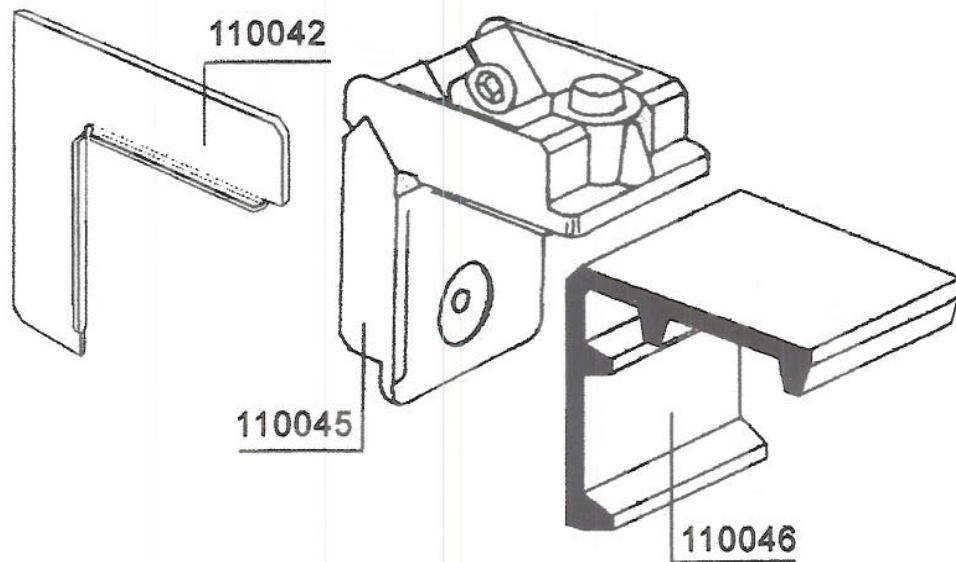
No. Προφίλ	Σχήμα	Βαρος	Ροπή Αδρανείας cm ⁴	Ροπή Αντίστασης cm ³
Profile No	Sketch	Weight	Moment of Inertia cm ⁴	Moment of Resistance cm ³
E-2341		1364g/m	lxc = 11.322cm ⁴ lyc = 38.631cm ⁴	Wxc = 3.755cm ³ Wyc = 8.424cm ³
E-2342		1682g/m	lxc = 21.019cm ⁴ lyc = 41.207cm ⁴	Wxc = 6.005cm ³ Wyc = 8.691cm ³
E-2344		783g/m	lxc = 5.893cm ⁴ lyc = 8.739cm ⁴	Wxc = 1.958cm ³ Wyc = 2.650cm ³
E-2361		2565g/m	lxc = 24.262cm ⁴ lyc = 308.952cm ⁴	Wxc = 7.986cm ³ Wyc = 32.701cm ³
E-2368		954g/m	lxc = 9.841cm ⁴ lyc = 5.986cm ⁴	Wxc = 3.315cm ³ Wyc = 1.736cm ³
E-2374		1775g/m	lxc = 26.787cm ⁴ lyc = 56.182cm ⁴	Wxc = 9.110cm ³ Wyc = 9.926cm ³






ΣΤΑΤΙΚΕΣ ΤΙΜΕΣ		STATIC VALUES		
No. Προφιλ	Σχημα	Βαρος	Ροπή Αδρανειας cm ⁴	Ροπή Αντίστασης cm ³
Profile No	Sketch	Weight	Moment of Inertia cm ⁴	Moment of Resistance cm ³
E-2381		1067g/m	$I_{xc} = 14.983 \text{ cm}^4$ $I_{yc} = 8.742 \text{ cm}^4$	$W_{xc} = 5.209 \text{ cm}^3$ $W_{yc} = 2.508 \text{ cm}^3$
E-2382		1454g/m	$I_{xc} = 20.699 \text{ cm}^4$ $I_{yc} = 27.422 \text{ cm}^4$	$W_{xc} = 7.074 \text{ cm}^3$ $W_{yc} = 5.755 \text{ cm}^3$
E-2385		1272g/m	$I_{xc} = 25.950 \text{ cm}^4$ $I_{yc} = 22.448 \text{ cm}^4$	$W_{xc} = 7.727 \text{ cm}^3$ $W_{yc} = 4.833 \text{ cm}^3$
E-2391		1871g/m	$I_{xc} = 19.238 \text{ cm}^4$ $I_{yc} = 115.550 \text{ cm}^4$	$W_{xc} = 6.732 \text{ cm}^3$ $W_{yc} = 16.707 \text{ cm}^3$
E-2393		1482g/m	$I_{xc} = 58.827 \text{ cm}^4$ $I_{yc} = 58.827 \text{ cm}^4$	$W_{xc} = 11.186 \text{ cm}^3$ $W_{yc} = 11.186 \text{ cm}^3$
E-2394		1382g/m	$I_{xc} = 20.413 \text{ cm}^4$ $I_{yc} = 26.026 \text{ cm}^4$	$W_{xc} = 7.469 \text{ cm}^3$ $W_{yc} = 5.601 \text{ cm}^3$

ΣΤΑΤΙΚΕΣ ΤΙΜΕΣ

STATIC VALUES

No. Προφιλ	Σχημα	Βαρος	Ροπή Αβρανειας cm ⁴	Ροπή Αντιστασεως cm ³
Profile No	Sketch	Weight	Moment of Inertia cm ⁴	Moment of Resistance cm ³
E-2396		1148g/m	$l_{xc} = 15.906 \text{ cm}^4$ $l_{yc} = 10.494 \text{ cm}^4$	$W_{xc} = 5.579 \text{ cm}^3$ $W_{yc} = 2.873 \text{ cm}^3$
E-2397		1293g/m	$l_{xc} = 12.172 \text{ cm}^4$ $l_{yc} = 44.377 \text{ cm}^4$	$W_{xc} = 6.056 \text{ cm}^3$ $W_{yc} = 8.844 \text{ cm}^3$
E-2399		834g/m	$l_{xc} = 9.198 \text{ cm}^4$ $l_{yc} = 4.592 \text{ cm}^4$	$W_{xc} = 3.492 \text{ cm}^3$ $W_{yc} = 1.424 \text{ cm}^3$



ΕΛΑΣΤΙΚΑ ΣΤΕΓΑΝΟΤΗΤΑΣ		GASKETS
130.128		Λαστίχα Χονδρά Κεντρικό E-2300 EPDM Central Gasket for E-2300 Systems : E-2300
130.131		Λαστίχα Ψίλο Φασκάς E-2300 EPDM On Rabbet and Glass Beading E-2300 Systems : E-2300
130.134		Λαστίχα Στεγανώσεως E-2300 EPDM Isolation Gasket for E-2300 Systems : E-2300
130.136		Λαστίχα E-2382 EPDM Gasket for E-2382 Systems : E-2300
130.141		Λαστίχα Στεγανώσεως E-2361 EPDM Gasket for E-2361 Systems : E-2300